

TEMPERATURE SENSOR

T-133

Applications:

Temperature sensor for measurement of the air in ventilation ducts and systems.

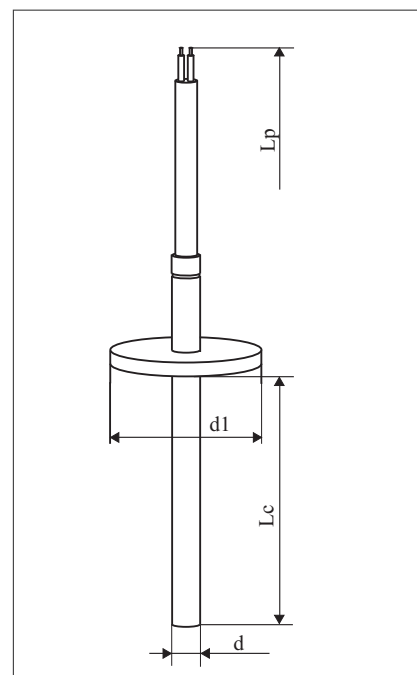
Technical Data

Measuring range	up to 400°C
Resistance element:	Pt100 up to PN-EN 60751+A2 Pt1000, Pt500
Protection tube material	stainless steel 1H18N9T (1.4541)
Connecting cable	insulation teflon-overbraid (standard) others
Connection line	2, 3 or 4 wire



Ordering code

T	-	133	-		-		-		-		-		-		-		-	
Protection tube dia. d																		
Ø 4 mm																		
others																		
Disk diameter d1																		
Ø 20 mm																		
others																		
Protection tube length Lc																		
100 mm																		
others																		
Cable length Lp																		
1,5 m																		
others																		
Connection line																		
2-wire, 3-wire, 4-wire																		
Tolerance																		
class - A, B																		
Measuring insert																		
Pt100, 2xPt100, others																		
Assemble																		
without spring - no signs																		
with spring - S																		
Connecting cable																		
1 - insulation teflon-overbraid																		
2 - insulation fiberglass x 2 - overbraid																		
3 - insulation silikon - silikon																		
4 - insulation teflon-silicone																		
5 - insulation PVC-PVC																		
others																		
Operating temperature																		
80°C, 200°C, others																		
																		e.g. 200°C



Order example:

T-133-4-20-100-1,5-2-B-Pt100-S-1-200°C - sensor of protection tube diameter $d=4$ mm, disk diameter $d1=20$ mm, length $Lc=100$ mm, length $Lp=1,5$ m, 2-wire, class B, Pt100, with spring, connecting cable insulation teflon-overbraid, operating temp. 200°C.